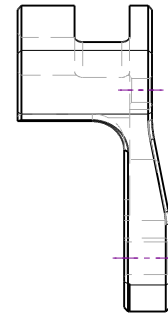
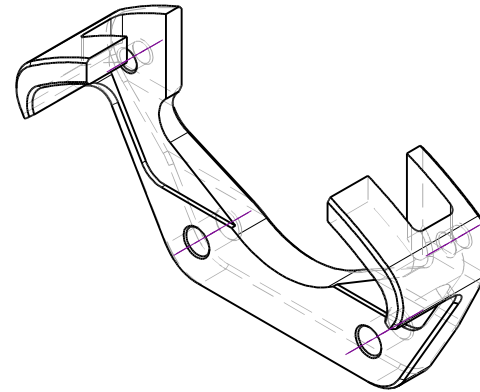
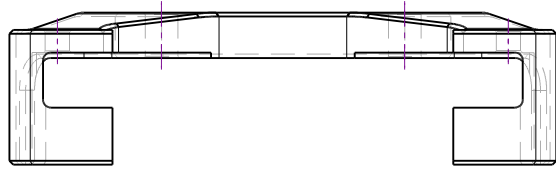


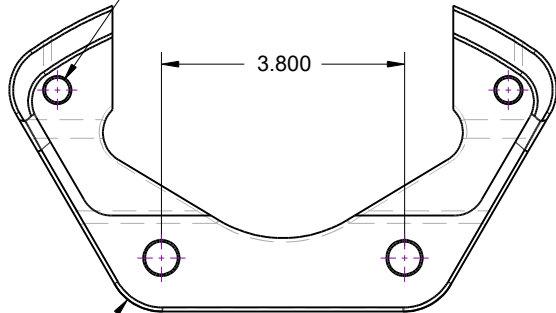


REVISIONS

ZONE	REV	DESCRIPTION	DATE	APPROVED
------	-----	-------------	------	----------



2x 7/16-20 UNF ∇ THRU



3.800

R.837

6061 T651 Type III Hard Coat Anodized Black Dye Unsealed	DRAWN	DATE				
	CHECKED					
	QA					
	MFG		SIZE A	FSCM NO.	DWG NO. 08796D52 REV4	REV
	APPROVED		SCALE 1:1		SHEET 1 OF 1	

